

CTR-S1

Ancillary board for CTR2000

Ancillary board intended to control an extra load when using the CTR2000 controller.

- Maximum 25 A load (appr. 17 kW)
- Easy installation and start-up

CTR-S1 is an ancillary board intended to control an extra load connected to CTR2000. The board controls a contactor which activates or deactivates the heating load. For best function, the load connected to CTR-S1 should be of equal size to the load connected to CTR2000 (triac).

Function

On increasing heat demand, CTR2000 will primarily increase the triac-controlled output. When this reaches 100% the ancillary board will be activated and the triac output will be reduced to 0%. If there is a need for more heating, the triac-controlled output will be activated again.

- Potential free relay output
- For control of auxiliary contactor

Easy to install and connect

CTR2000 is prepared to plug-in CTR-S1. It detects if CTR-S1 is installed and automatically adapts the control function accordingly. No adjustments are necessary.

Carefully locate the board so that the connectors mate and the CTR-S1 legs align with the mounting holes (see picture on the following page).

Connect the two terminals to the contactor that controls the basic heating load.

CTR2000 and CTR-S1 must have separate, equal-sized loads.

N.B. The supply should be wired via the fan stat, the high temperature limit switch etc.

Technical data

Supply voltage

Supplied by the connector (CTR2000)

Control signal

Supplied by the connector (CTR2000)

Output

Single pole closing relay, 5 A, 230 V AC (terminals 1 and 2)

Controls load via contactor. Maximum load via contactor 25 A

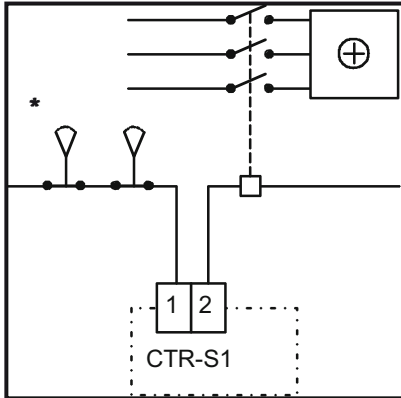


This product conforms with the requirements of European EMC standards CENELEC

EN 61000-6-1 and EN 61000-6-3 and carries the CE mark. This product conforms with the

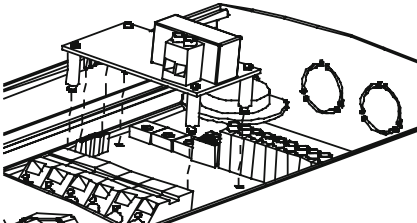
requirements of European LVD standards IEC 669-1 and IEC 669-2-1.

Wiring



* = The supply should be wired via the fan stat, the high temperature limit switch etc

Installation



AB Industrietechnik Srl

Via Julius Durst, 70 - 39042 Bressanone (BZ) - Italy

Tel. +39 0472/830626 - Fax +39 0472/831840

www.industrietechnik.it - info@industrietechnik.it