



## DIGITAL CONTROLLERS WITH 0-10 V OUTPUTS

DB-R/2

### FUNCTION

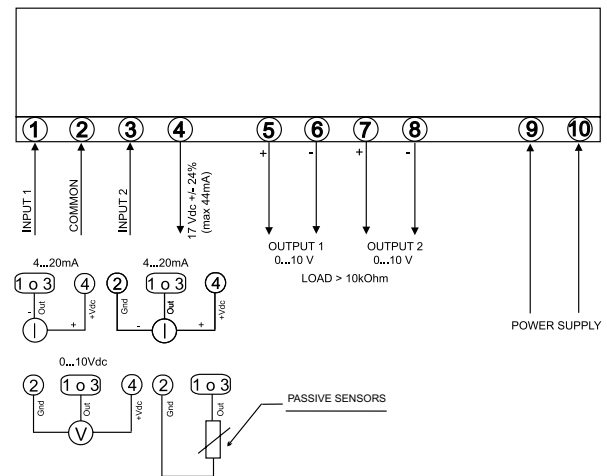
- Regulation of 1 or 2 independent physical quantities with:
- 2 proportional outputs 0...10 Vdc;
  - 1 output for power supply of active transducer (17 Vdc, max 44 mA);
  - 3 digit display;

- red led, output state indicator;
- push buttons for parameters setting;
- optical alarms;
- password and two access levels.

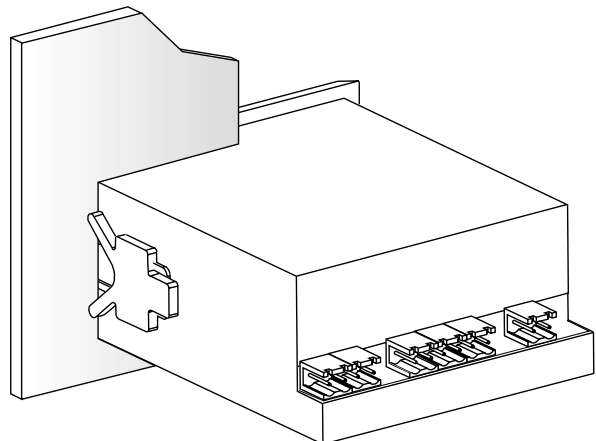
### TECHNICAL DATA

- Power supply:** see schedule on the following page  
**Input:** see schedule on the following page  
**Outputs:** 2 0-10 V ( $R_L > 10 \text{ k}\Omega$ )  
**Power cons.:** < 3 W  
**Range:** see schedule on the following page  
**Working:** 0...+45 °C  
 10...90% r.h. (without condensing)  
 -20...+70 °C  
 <95% r.h.  
**Storage:**  
**Connections:** screw terminal block for cables up to 2.5 mm<sup>2</sup>  
**Housing:** ABS fireproof plastic according to UL94 V-0  
**Protection:** IP52 (only front plate), class II  
**Size:** 96 x 48 x 122 mm  
 mounting hole: 92 x 45 mm  
**Weight:** 400 g

### WIRING DIAGRAM



### MOUNTING



**PART NUMBER SELECTION**

	Input 1			Input 2				
	X	X	XX	X	X	XX	X	2
<b>DB-R</b>								
<b>INPUT 1</b>								
NTC10-02	1	1	07 <sup>(1)</sup>					
0...10 Vdc (**)	7							
4...20 mA (**) (R <sub>n</sub> = 100 Ohm)	9							
<b>UNIT 1</b>								
°C		1						
% r.h.		2						
bar		3						
mbar		4						
Pa		5						
<b>RANGE 1</b>								
0...+50 °C			01					
-30...+50 °C			02					
-10...+40 °C			03					
0...+100 °C			04					
-20...+80 °C			05					
0...+100% r.h.			06					
-50...+110 °C			07					
-60...+600 °C			08					
-50...+150 °C			09					
-60...+200 °C			10					
Range on request (*)			99					
<b>INPUT 2</b>								
None				0	0	00		
NTC10-02				1	1	07 <sup>(1)</sup>		
0...10 Vdc (**) (R <sub>n</sub> = 100 Ohm)				7				
4...20 mA (**) (R <sub>n</sub> = 100 Ohm)				9				
<b>UNIT 2</b>								
None							0	
°C							1	
% r.h.							2	
bar							3	
mbar							4	
Pa							5	
<b>RANGE 2</b>								
None								00
0...+50 °C								01
-30...+50 °C								02
-10...+40 °C								03
0...+100 °C								04
-20...+80 °C								05
0...+100% r.h.								06
-50...+110 °C								07
-60...+600 °C								08
-50...+150 °C								09
-60...+200 °C								10
Range on request (*)								99
<b>POWER SUPPLY</b>								
230 Vac ± 10% 50/60 Hz								1
12 Vac ± 10% 50/60 Hz								2
<b>OUTPUT</b>								
2 0-10 V								

(\*) to specify during the ordering process

(1) fixed ranges

(\*\*) working range can be chosen only for models with current (mA) or voltage (Vdc) inputs

