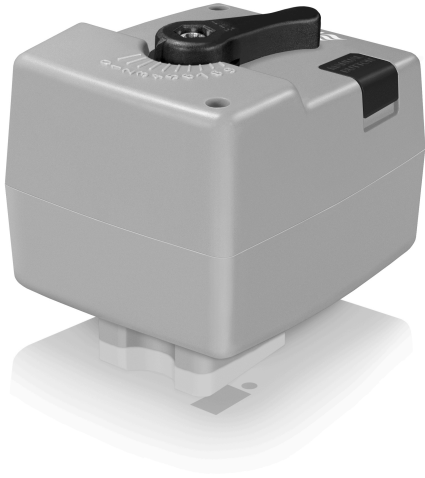


SEB4/SEB5

Quarter turn ball valve actuator



Quarter turn ball valve actuator mainly to be used with Industrietechnik's ball valves VFBV2 and VFBV3.

- Protection class IP54
- Torque and speed 4 Nm (45s) and 5 Nm (50s)
- 24 V AC / 230 V AC
- Quarter turn, 90°
- Easy to mount on valve with just one screw
- Manual operation
- Position indication

Application

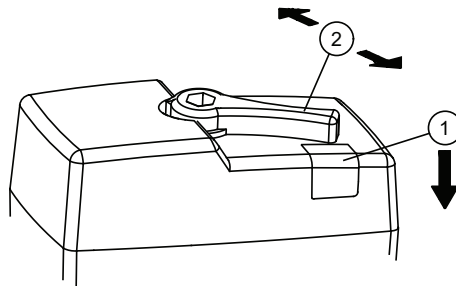
Ball valve actuator with bi-directional motor mainly used in central air conditioning systems, heating systems, water treatment and production industry to control the flow of cold/hot media.

Function

The SEB4 actuators are used with VFBV2/VFBV3 valves DN15...DN25 and the SEB5 actuators are used with VFBV2/VFBV3 valves DN32...DN50.

Manual override

The valve position can be changed manually by turning the lever while pressing the button on the actuator lid.



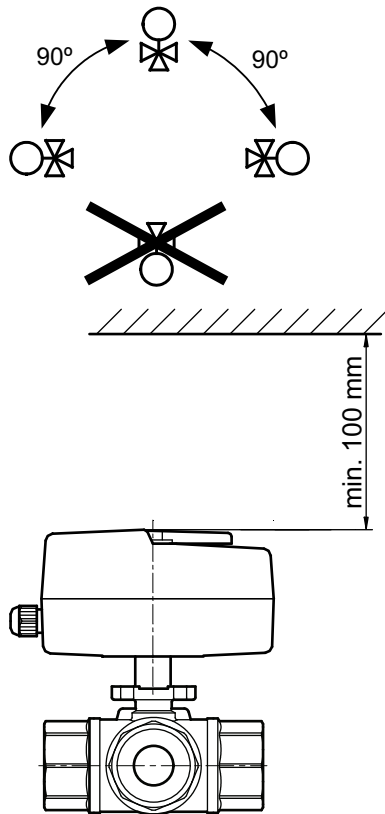
MAIN OFFICE BRESSANONE

I-39042 Bressanone (BZ) tel: +39 0472 830626
via Julius-Durst-Str. 50 fax: +39 0472 831840
VAT No. IT02748450216 www.industrietechnik.it

SEB4/SEB5

Installation

The valve and actuator should never be mounted at an angle of more than 90°.



MAIN OFFICE BRESSANONE

I-39042 Bressanone (BZ) tel: +39 0472 830626
via Julius-Durst-Str. 50 fax: +39 0472 831840
VAT No. IT02748450216 www.industrietechnik.it

SEB4/SEB5

Technical data

Ambient temperature	-5...+50 °C
Storage temperature	-30...+70 °C
Ambient humidity	Max. 90 % RH (non-condensing)
Protection class	IP54
Working angle	90°
Connection, actuator	Square 9 mm hole with M5 screw

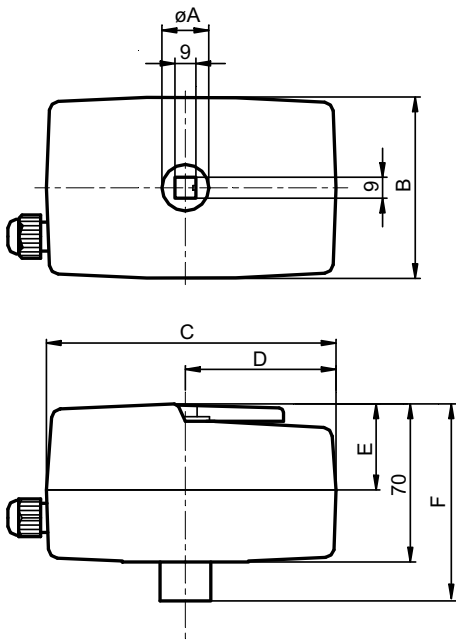


This product carries the CE-mark. More information is available at www.industrietechnik.it

Models

Article	Supply voltage	Power consumption	Control signal	Torque	Running time, actuator	Valve
SEB4F24	24 V AC	3 VA	Floating or On/off (3-wire)	≥ 4 Nm	45 s / 90°	VFBV2/ VFBV3 DN15...DN25
SEB4M24	24 V AC	4 VA	0(2)...10 V DC or 0(4)...20 mA	≥ 4 Nm	45 s / 90°	VFBV2/ VFBV3 DN15...DN25
SEB4F230	230 V ~	5 VA	Floating or On/off (3-wire)	≥ 4 Nm	45 s / 90°	VFBV2/ VFBV3 DN15...DN25
SEB5F24	24 V AC	3 VA	Floating or On/off (3-wire)	≥ 5 Nm	50 s / 90°	VFBV2/ VFBV3 DN32...DN50
SEB5M24S	24 V AC	4 VA	0(2)...10 V DC or 0(4)...20 mA	≥ 5 Nm	50 s / 90°	VFBV2/ VFBV3 DN32...DN50
SEB5F230	230 V ~	5 VA	Floating or On/off (3-wire)	≥ 5 Nm	50 s / 90°	VFBV2/VFBV DN32...DN50

Dimensions



Model	$\varnothing A$	B	C	D	E	F
SEB4...	16	77	92	57	39	82.5
SEB5...	20	78	123	64	41	83

[mm]

Wiring

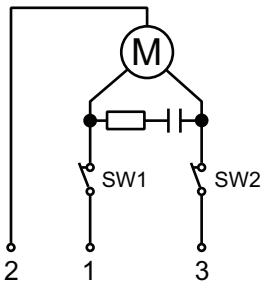


Fig. 1 Floating / On/off (3-wire)

Power supply	Rotate to
1-2	0°
2-3	90°

MAIN OFFICE BRESSANONE

I-39042 Bressanone (BZ) tel: +39 0472 830626
 via Julius-Durst-Str. 50 fax: +39 0472 831840
 VAT No. IT02748450216 www.industrietechnik.it

SEB4/SEB5

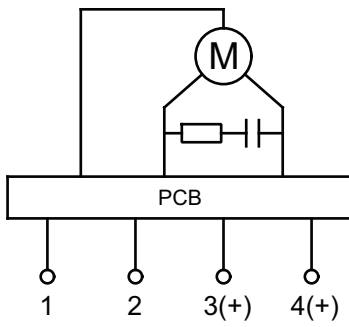


Fig. 2 0...10 V DC

Terminal	Colour	Description
1	Red	Supply voltage 24 V AC
2	Blue	System neutral
3	Yellow	Control signal 0(2)...10 V DC or 0(4)...20 mA
4	Green	Signal feedback 0...10 V DC

Input control signal DA	Input control signal RA	Actuator Rod
Increase	Decrease	To 90°
Decrease	Increase	To 0°

DA = Direct action, RA = Reverse action

Documentation

All documentation can be downloaded from www.industrietechnik.it.