



# SET-PT1000

# SET-30

Setpoint devices

For panel mounting. For use with Corrigo, CMF and CTR series.

## Technical data

Range

SET-PT1000 5...30 °C, SET-30 0...30 °C

Protection class

IP20

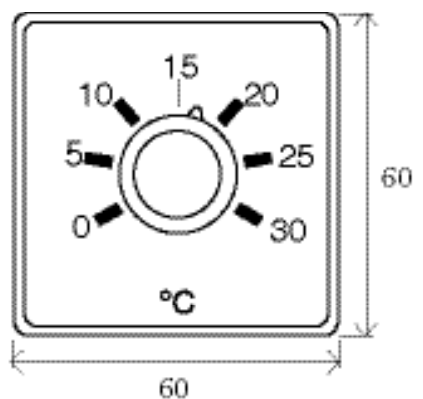
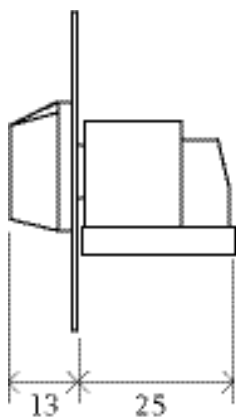
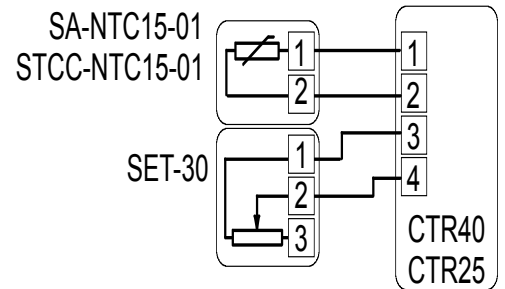
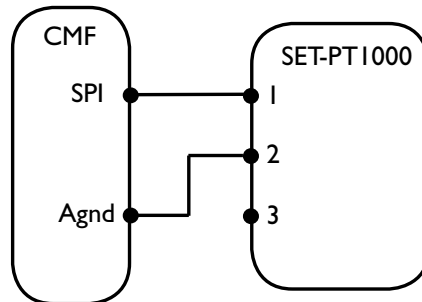
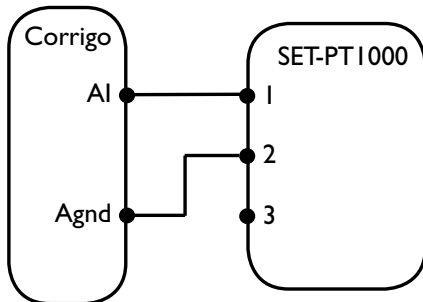


**Low Voltage Directive (LVD) standards:** This product conforms to the requirements of the European Low Voltage Directive (LVD) 2006/95/EC through product standards EN 60669-1 and EN 60669-2-1.

**EMC emissions & immunity standards:** This product conforms to the requirements of the EMC Directive 2004/108/EC through product standards EN 60669-1 and EN 60669-2-1.

**RoHS:** This product conforms with the Directive 2011/65/EU of the European Parliament and of the Council.

## Wiring and dimensions



(mm)

### AB Industrietechnik Srl

Via Julius Durst, 70 - 39042 Bressanone (BZ) - Italy  
Tel. +39 0472/830626 - Fax +39 0472/831840  
www.industrietechnik.it - info@industrietechnik.it