



TTA-C/CD

Temperature transmitter for room mounting

Wall mounted room transmitters for measuring temperature in indoor environments.

- Output signal 4...20 mA
- With or without display
- Good long-term stability
- Temperature range 0...50 °C
- Easy installation

Function

The sensor is mounted in the cover-part of the casing. The cover is easy to detach from the back by means of snap-in grips and detachable terminals which makes mounting easy. Furthermore, no cables have to be disconnected, simplifying service and replacement.

TEMPERATURE

The transmitter has a built in temperature sensor, which gives output signal 4...20 mA and has a temperature range of 0...50°C.

SUPPLY VOLTAGE

The transmitter uses a supply voltage of max. 28 V DC and min. 11 + (0.02xRL) V DC.

Appearance

The transmitter comes in a discreet white housing. The version .../CD has a LCD display showing temperature.

Installation

The transmitter should be mounted in a location with good air circulation where it can be expected to give a representative reading. It can be mounted on a wall box or directly on the wall.

MAIN OFFICE BRESSANONE

I-39042 Bressanone (BZ)
via Julius-Durst-Str. 70
VAT No. IT02748450216

tel: +39 0472 830626
fax: +39 0472 831840
www.industrietechnik.it

TTA-C/CD

Technical data

Output signal	4...20 mA (2 wire, T= 0...50 °C)
Supply voltage	Max. 28 V DC, Min. 11+(0.02xRL) V DC
Power consumption	0.6 W
DC power	Min. 1 W
Temperature range	0...50 °C
Ambient temperature	0...50 °C
Accuracy, temperature	±0.5°C at 20°C
Protection class	IP30
Isolation class	III
Dimensions (WxHxD mm)	100 x 85 x 30.5

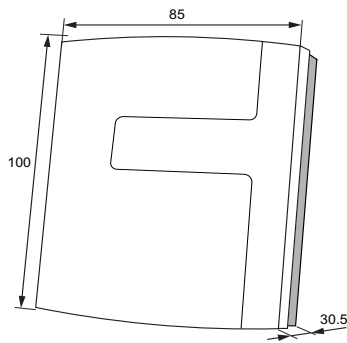
CE

Low Voltage Directive (LVD) standards: This product conforms to the requirements of the European Low Voltage Directive (LVD) 2014/35/EU through product standards EN 60730-1/A16

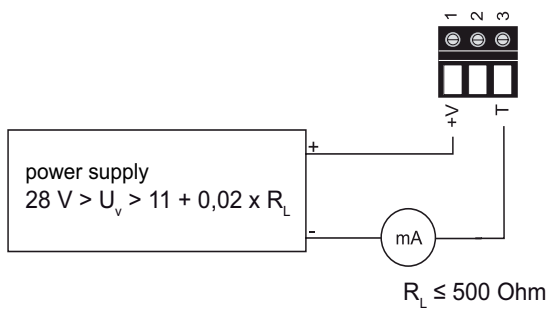
EMC emissions & immunity standards: This product conforms to the requirements of the EMC Directive 2014/30/EU through product standards EN 61000-6-1 and 61000-6-3.

RoHS: This product conforms to the Directive 2011/65/EU of the European Parliament and of the Council through standard 50581:2012.

Dimensions



Wiring



Product documentation

Document	Description
Instruction TTA-C/CD	Instruction for installation and commissioning

The product documentation can be downloaded from www.industrietechnik.it

MAIN OFFICE BRESSANONE

I-39042 Bressanone (BZ)
via Julius-Durst-Str. 70
VAT No. IT02748450216

tel: +39 0472 830626
fax: +39 0472 831840
www.industrietechnik.it

TTA-C/CD